

## PARTS LIST & DIAGRAMS

### Parts List Diagram A

<u>No</u>	<u>Description</u>	<u>No</u>	<u>Description</u>
A-1	Hex screw M8x20	A-22	Cover, switch box
A-2	Washer 8mm	A-23	Plastic plate
A-3	Hex nut M8	A-24	Strain relief
A-4	Front panel, saw base	A-25	Switch box
A-5	Pan head screw M6x12	A-26	External washer 4mm
A-6	Washer 6mm	A-27	Ground plate
A-7	Dust port	A-28	Washer 4mm
A-8	Riveted nut	A-29	Pan head screw M4x12
A-9	Right panel, saw base	A-30	Hold screw, push stick
A-10	Hex nut M6	A-31	Push stick
A-11	Rear panel, saw base	A-32	Internal guard
A-12	Left panel, saw base	A-33	Mount plate
A-13	Rubber feet	A-34	Pan head screw M5x16
A-14	Pan head screw M5x20	A-35	Rubber seal
A-15	Washer 5mm	A-36	Angle bracket
A-16	Wire clamp	A-37	Pan head screw M4x10
A-17	Hex nut M5	A-38	Angle bracket
A-18	Knee touch plate	A-39	Pan head screw M4x50
A-19	Taping screw ST4.2x20	A-40	Limit switch
A-20	Saw base frame	A-41	Hex nut M4
A-21	Main switch	A-42	Allen screw M6x12

### Parts List Diagram B

<u>No</u>	<u>Description</u>	<u>No</u>	<u>Description</u>
B-1	Star-type, lock handle	B-22	Carriage bolt M6x40
B-2	Flat washer 8mm	B-23	Stud, hold down
B-3	Hex screw M8x25	B-24	Star-type knob, hold down
B-4	Hex screw M8x40	B-25	Arm, hold down
B-5	T-base, adjust	B-26	Allen screw M5x16
B-6	Set screw M8x12	B-27	Scale, sliding table
B-7	Bracket, sliding carrier	B-28	Disc, hold down
B-8	Stop screw	B-29	Circle ring 8mm
B-9	Insert, sliding carrier	B-30	Pin, hold down
B-10	T-nut, sliding carrier	B-31	spring, hold down
B-11	Hex nut M8	B-32	Stud, hold down
B-12	Bracket, sliding carrier	B-33	Circle ring 12mm
B-13	Allen screw M8x32	B-34	Eccentric, hold down
B-14	Sunk head screw M8x25	B-35	Handle, hold down
B-15	Wing nut	B-36	Handle knob, hold down
B-16	Washer 6mm	B-37	End cap, fence
B-17	Mitre gauge, hold down	B-38	Fence, mitre gauge
B-18	Ratchet lever	B-39	Hex head screw M8x16
B-19	Flat washer 10mm	B-40	Upper support
B-20	Star-type lock handle	B-41	Allen screw M8x25
B-21	T-block	B-42	Disc, insert

**Parts List Diagram B** cont...

<u>No</u>	<u>Description</u>	<u>No</u>	<u>Description</u>
B-43	Lower support	B-71	Hex nut M10
B-44	Adjustable disc	B-72	Lock guide
B-51	ScREW guide	B-73	T-nut, push handle
B-52	Taping screw ST4.2x12	B-74	Set screw M8x12
B-53	End cap, sliding panel		
B-54	Allen screw M5x8		
B-55	Sliding panel set	B-77	Ball 1/2"
B-56	End cap, sliding panel		
B-57	Stop plate		
B-58	Stop plate	B-80	End cap, sliding rail
B-59	Sunk head screw M6x18	B-81	Sliding table rail
B-60	"Z" lock plate	B-82	End cap, sliding rail
B-61	Sunk head screw M6x20		
B-62	Eccentric cam	B-84	Sunk head screw M8x20
B-63	Push handle	B-85	Lock nut M8
B-64	Bush, push handle	B-86	Lock nut M6
B-65	End cap, knob	B-87	Thread stud
B-66	Star-type knob, lock pin	B-88	Hex nut M8
B-67	Roll pin 3x18	B-89	T-block
B-68	Bush, lock pin	B-90	Edge shoe
B-69	Spring, lock pin	B-91	Startype screw M8x20
B-70	Lock pin	B-92	Washer 8mm
		B-93	Ball frame

**Parts List Diagram C**

<u>No</u>	<u>Description</u>	<u>No</u>	<u>Description</u>
C-1	Arbor nut (left)	C-25	Stop screw
C-2	Outer flange	C-26	Allen screw M10x30
C-3	Saw blade	C-27	Lock nut M8
C-4	V-belt 680mm	C-28	Riving knife bracket
C-5	Pulley, blade	C-29	Connection rod
C-6	Flat key 5x5x20	C-30	Sunk head screw M8x20
C-7	Arbor shaft	C-31	Bush, connection rod
C-8	Bearing 6201-2RS	C-32	Sunk head screw M8x30
C-9	Arbor shaft sleeve	C-33	Hex screw M6x65
C-10	Arbor shaft bush	C-34	Knurled nut for motor base
C-12	Mount block, riving knife	C-36	Taping screw ST4.2x26
C-13	Collar stop	C-37	Set screw M6x10
C-14	Set screw M8x12	C-38	Handwheel, main blade
C-15	Spacer, elevation gear	C-39	Handle
C-16	Hex screw M8x20	C-40	Pan head screw M6x16
C-17	Washer 8mm	C-42	Washer 6 Jmm
C-18	Block plate	C-43	Housing, knob
C-19	Riving knife	C-44	Angle connection knob
C-20	Knurled nut	C-45	Roll pin 4x28
C-21	Carriage bolt M10x60	C-46	Angle adjust thread
C-22	Set screw M8x20		
C-23	Set screw M8x20	C-48	Elevation connection rod
C-24	Hex nut M8	C-49	Elevation nail B

### Parts List Diagram C *cont...*

<u>No</u>	<u>Description</u>	<u>No</u>	<u>Description</u>	<u>No</u>	<u>Description</u>
C-51	Hex nut M6	C-79	Angle bracket	C-109	Spring pin 6x12
C-52	Adjusting frame	C-80	Angle pointer	C-110	Bracket, worm gear
C-53	Circle ring 24mm	C-81	Washer 4mm	C-111	Short elevation connection rod
C-54	Knuckle	C-82	Spring washer 4mm	C-112	Shaft, worm gear
C-55	Thin hex nut M12	C-83	Pan head screw M4x10	C-113	Flat key 5x12
C-56	Elevation gear	C-85	Chip house	C-114	Hex.screw M6x16
C-57	Lock block	C-86	Allen screw M8x18	C-115	Hex.nut M6
C-58	Motor	C-87	Hose clamp 100mm	C-116	Worm gear
C-59	Hex screw M8x40	C-88	Hex screw M6x25	C-117	Hex.screw M5x10
C-60	Flat key 8x7x50	C-89	Dust hose Dia.100 x 800mm	C-118	Spring washer 5mm
C-61	Set screw M6x8	C-92	Arbor pin	C-119	Washer 5mm
C-62	Set screw M6x6	C-93	Nut M10	C-120	Connection rod, motor base
C-63	Pulley, motor	C-94	Roll pin 4x20	C-121	Motor base
C-64	Hex screw M8x25	C-95	Spacer, lock lever		
C-65	Lock washer 8mm	C-96	Allen screw M6x25		
C-66	Angle lock block	C-97	Swing plate, lock lever		
C-67	Angle cradle	C-98	Bush, lock lever		
C-69	Hex nut M12	C-99	Lock lever, elevation		
C-70	Lock washer 12mm	C-100	Handle, lock lever		
C-72	Lock bolt, guard	C-101	Spring, lock lever		
C-73	Hex screw M8x20	C-102	Taping screw ST4.2x10		
C-76	Flat washer 8mm	C-103	Blade guard, half		
C-77	Star-type screw M8x20	C-104	Blade guard, half		
C-78	Pan head screw M5x12	C-105	Segment, blade guard		
		C-106	Segment, blade guard		
		C-107	Lock washer 8mm		
		C-108	Bush		

### Parts List Diagram D

<u>No</u>	<u>Description</u>	<u>No</u>	<u>Description</u>
D-1	Taping screw ST4.2x12	D-20	T-nut M5
D-2	Rear plate, fence	D-21	Washer 5mm
D-3	Bottom plate, fence	D-22	Pan head screw M5x10
D-4	Sunk head screw M5x8	D-23	Set screw M6x6
D-5	Fence	D-24	Fine adjusting handle
D-6	Wing nut	D-25	Coil spring, fine adjust
D-7	Screw guide	D-26	Eccentric arbor
D-8	Sunk head screw M6x12	D-27	Frame, fine adjust gear
D-9	Carriage screw M6x70	D-28	Gear rod, fine adjust
D-10	Fence plate	D-29	Core gear
D-11	Pan head screw M4x10	D-30	Washer 4mm
D-12	Circle ring	D-31	Rubber sticker
D-13	Len	D-32	End cap, fence carrier
D-14	Allen screw M6x16	D-33	Lock shaft, fine adjust
D-15	End cap, fence carrier	D-34	Screw guide
D-16	Fence carrier	D-35	Fence "L" shape
D-17	Lock handle, fence	D-36	Lock plate
D-18	Hex nut M8	D-37	End cap, lock handle
D-19	Eccentric shaft	D-38	Front plate, fence

### Parts List Diagram E

<u>No</u>	<u>Description</u>	<u>No</u>	<u>Description</u>
E-1	Scale, cross cut table	E-41	Support, swing arm
E-2	Washer 6mm	E-42	Hex screw M8x30
E-3	Scale, cross cut table	E-43	Hex screw M10x25
E-4	Allen screw M6x12	E-44	Sunk head screw M6x12
E-5	Eccentric cam	E-45	T-nut, extension fence
E-6	Washer 8mm	E-46	Lock plate
E-7	Sunk head screw M6x10	E-47	T-block
E-8	"Z" lock plate	E-48	Scale
E-9	"Z" lock plate	E-49	End, extension fence
E-10	Hex screw M8x20	E-50	Carriage bolt M6x38
E-11	Lock nut M6	E-51	Screw guide
E-12	Hex nut M6	E-52	Flip stop base
E-13	End cap, cross cut table	E-53	Knurled knob
E-14	Cross cut table	E-54	Spring, flip stop
E-15	Roller	E-55	Set screw
E-16	Hex screw M8x12	E-56	Spacer , ratchet lever
E-17	Bracket, roller	E-57	Ratchet lever, Flip stop
E-18	Bracket, roller	E-58	Allen screw M8x20
E-19	Base, roller	E-59	Stud, flip stop
E-20	Support rod, cross cut table	E-60	Flip stop
E-21	Joint, support	E-61	Scale, extension fence
E-22	Thin hex nut M10	E-62	Extension fence
E-23	Bearing 8104	E-63	Scale, cross cut fence
E-24	Swing arm, extension	E-64	Taping screw ST4.2 x12
E-25	Pan head screw M5x12	E-65	End cap, cross cut fence
E-26	Insert, swing arm	E-66	Lock stud, cross cut fence
E-27	Woolen sheet	E-67	Carriage bolt M8x70
E-28	Block	E-68	T-block
E-29	Roll	E-69	Flat washer M8
E-30	Bearing 6101	E-70	Spacer, lock handle
E-32	Pan head screw M5x6	E-71	Star-type lock handle
E-34	Swing arm	E-72	Wing nut M8
E-35	Hex screw M6x35	E-73	Stud, cross cut table
E-36	Stop collar	E-74	T-block
E-37	Bearing 6202	E-75	Knurled knob, fence
E-38	Shaft, swing arm	E-76	End cap, swing arm
E-39	Hex screw M8x50	E-77	T-block, hold down
E-40	Thin nut M16	E-78	Washer 12 mm
		E-79	Stud, hold down
		E-80	Eccentric shaft
		E-81	Sleeve

### Parts List Diagram F

<u>No</u>	<u>Description</u>	<u>No</u>	<u>Description</u>
F-1	Hex nut M8	F-7	Hex screw M6x12
F-2	Outer flange, scoring blade	F-8	Washer 6mm
F-3	Scoring blade	F-9	Pulley, scoring blade
F-4	Arbor, scoring blade	F-10	Circle ring 40mm
F-5	Bearing 6100-RS	F-11	Set screw M6x6
F-6	Flat belt	F-12	Adjusting shaft

### **Parts List Diagram F** *cont. . .*

<u>No</u>	<u>Description</u>	<u>No</u>	<u>Description</u>
F-13	Housing, arbor	F-26	Lock nut M10
F-14	Spacer, scoring blade	F-27	Washer 10mm
F-15	Set screw M8x18	F-28	Tension spring
F-16	Eccentric shaft	F-29	Spacer, tension spring
F-17	Spring	F-30	Tension pulley bracket
F-18	Base, arbor	F-31	Tension pulley
F-19	Allen screw M6x12	F-33	Spacer, tension pulley
F-20	Stop screw	F-34	Allen screw M10x60
F-21	Hex nut M6	F-35	Pulley drive
F-23	Elevation, scoring blade	F-36	End cap, pulley drive
F-24	Hex nut M10	F-37	Hex screw m6x8
F-25	Allen screw M6x18	F-38	Coil spring

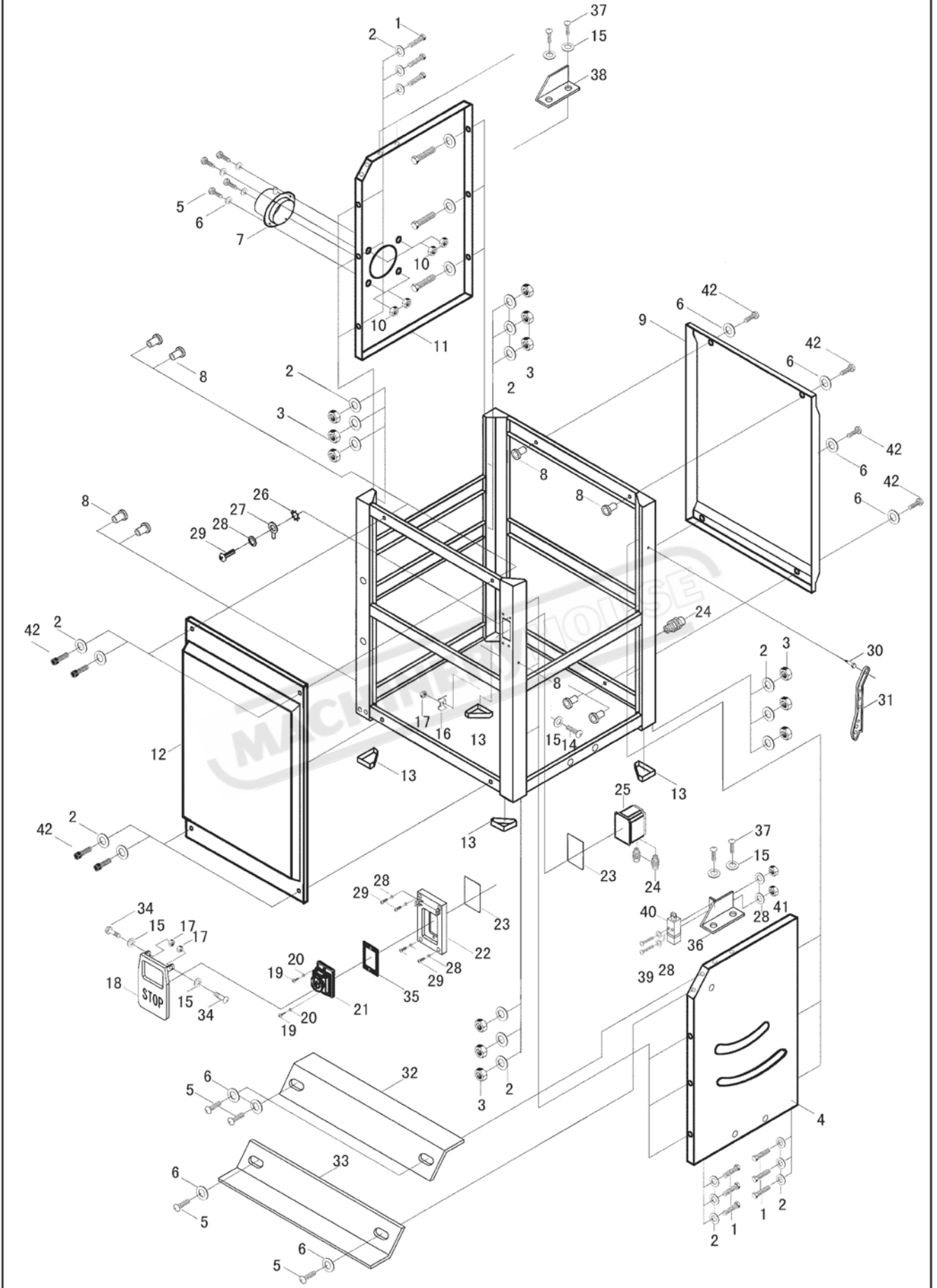
### **Parts List Diagram G**

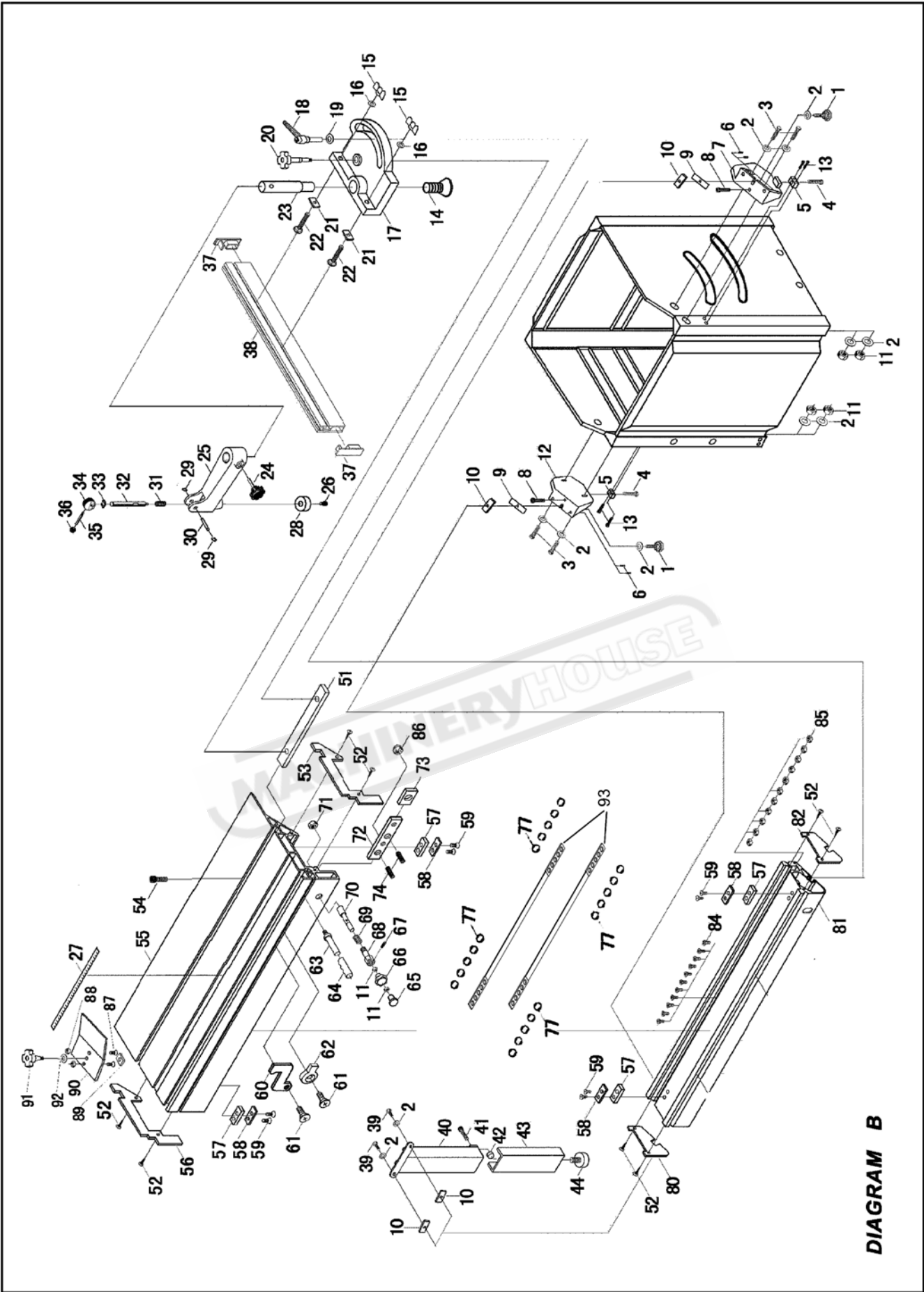
<u>No</u>	<u>Description</u>	<u>No</u>	<u>Description</u>
G-1	Rear extension table	G-20	Dust hose support
G-2	Washer 8mm	G-21	Washer 6mm
G-3	Hex nut M8	G-22	Hex screw M6x20
G-4	Set screw M6x12	G-23	Hex nut M6
G-5	Hex screw M8x16	G-26	Adjustable disc
G-6	Flat washer 10mm	G-27	Lower, support
G-7	Rea table support	G-28	Disc insert
G-8	Set screw M10x70	G-29	Allen screw M8x25
G-9	Hex nut M10	G-30	Upper, support
G-10	Major table	G-31	Taping screw ST4.2x12
G-11	Table insert	G-32	Washer 4mm
G-12	Sunk head screw M5x10	G-33	Right end cap, front rail
G-13	Hex screw M8x20	G-34	T-Nut M5
G-14	Front rail	G-35	Rack, fence
G-15	Square head screw M8x25	G-37	Lock washer 5mm
G-16	Extension table	G-38	Pan head screw M5x8
G-17	Steel extension table	G-39	Left end cap, front rail
G-18	Hose clamp 30mm	G-40	Scale, rail
G-19	Dust hose 30mm dia.x3240mm	G-41	Rear rail

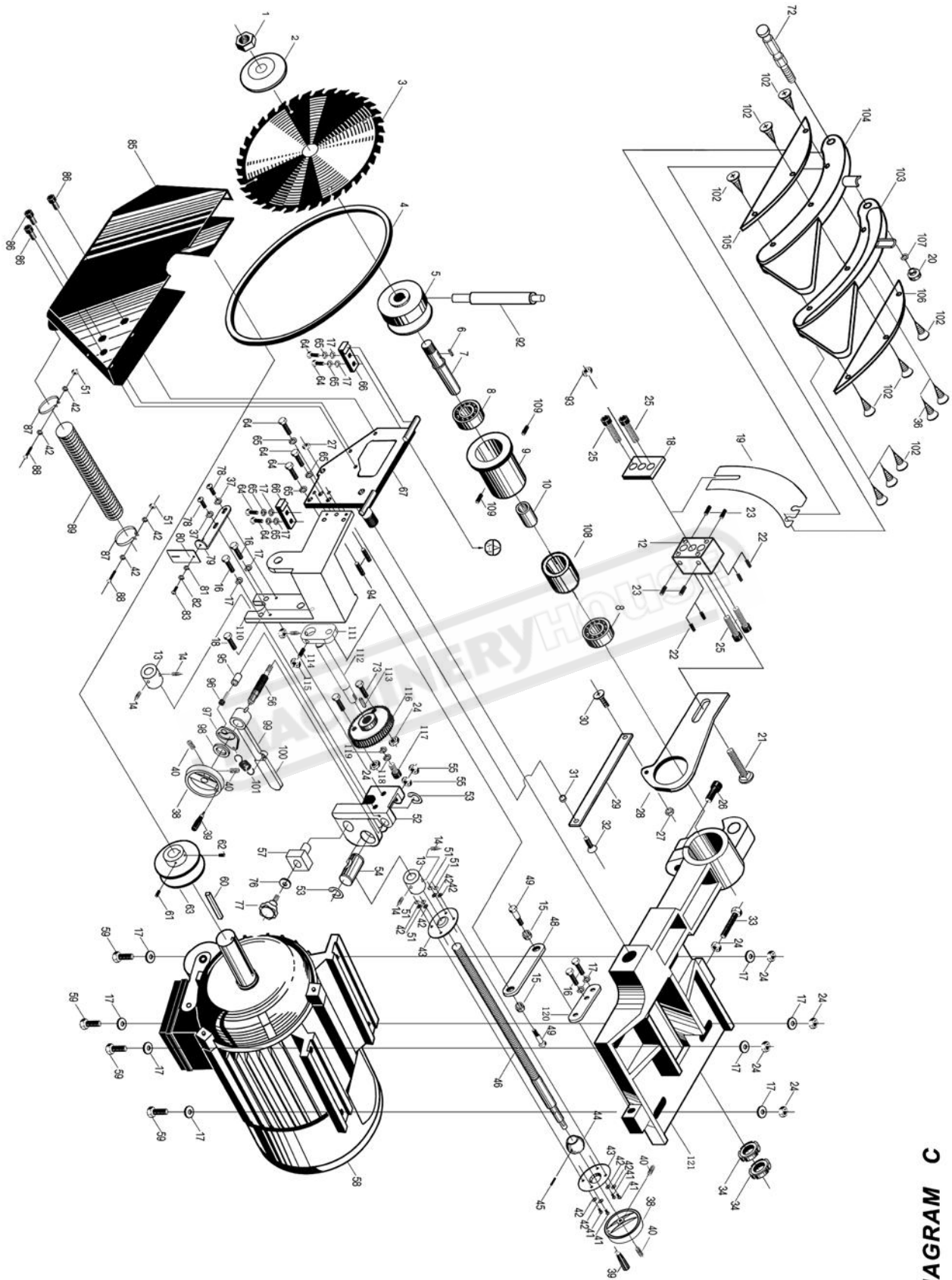
### **Parts List Diagram H**

<u>No</u>	<u>Description</u>	<u>No</u>	<u>Description</u>
H-1	Mitre gauge knob	H-11	Mitre gauge rod
H-2	Washer 6mm	H-12	Pan head screw M4x18
H-3	Mitre gauge base	H-13	Hex nut M4
H-4	Pan head screw M5x10	H-14	Scale , gauge
H-5	Indicator gauge	H-16	End cap, Gauge fence
H-6	Block indicator	H-17	Gauge fence
H-7	Stop pin	H-19	Carriage bolt M6x32
H-8	Sunk head screw M5x8	H-20	Washer 6mm
H-9	Roller, guage	H-21	Knurled nut
H-10	Guide pin		

**DIAGRAM A**

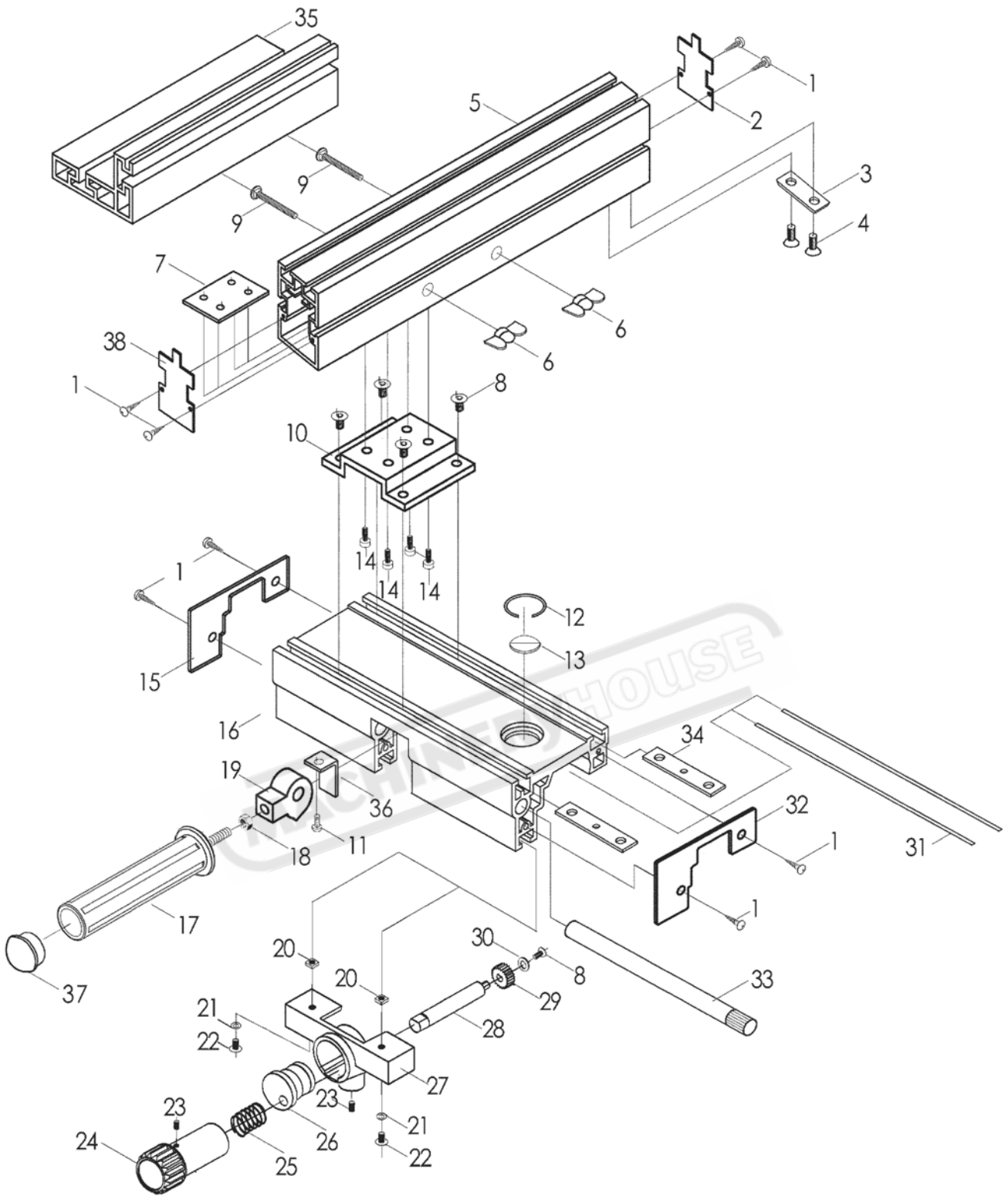






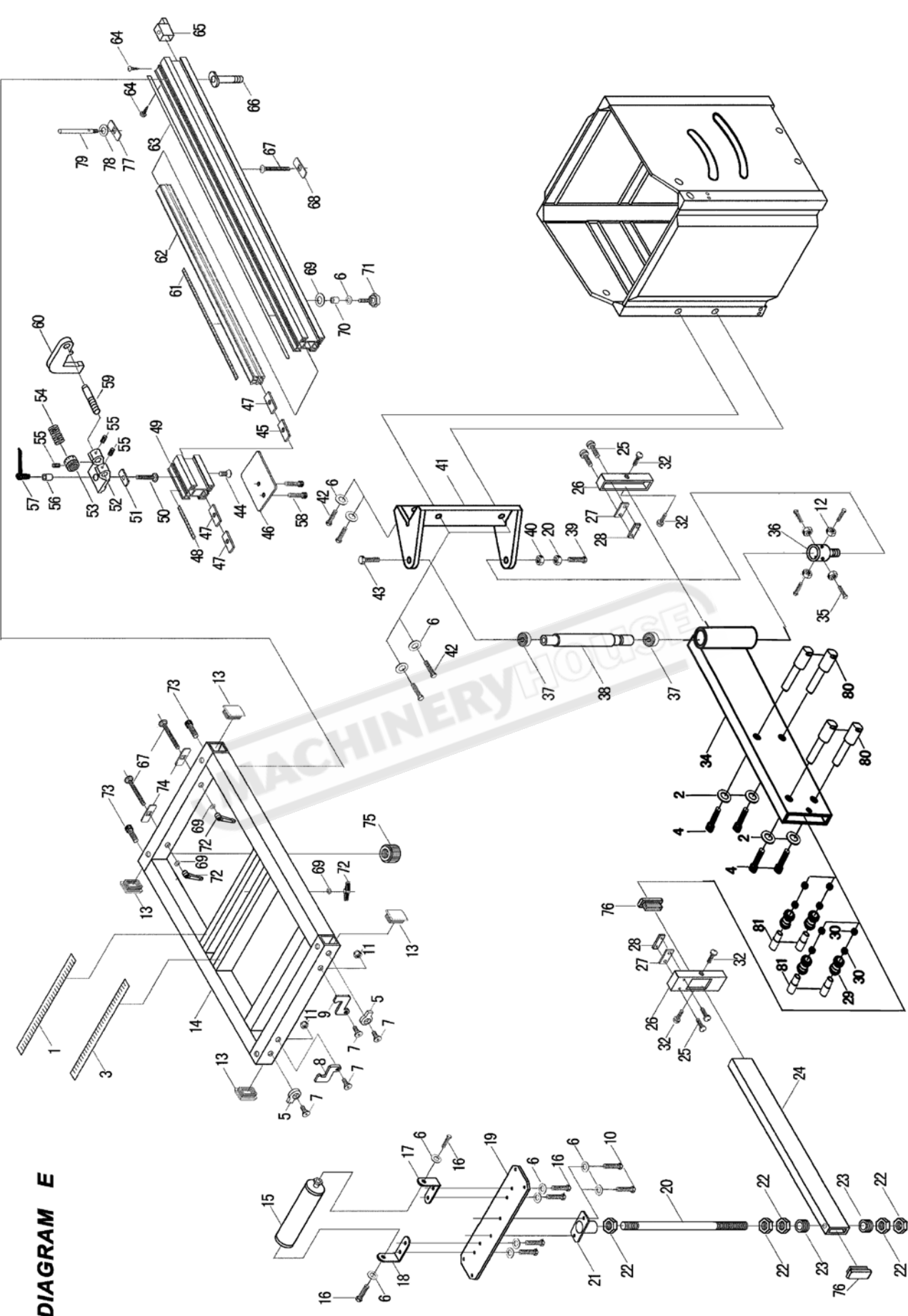
**DIAGRAM C**

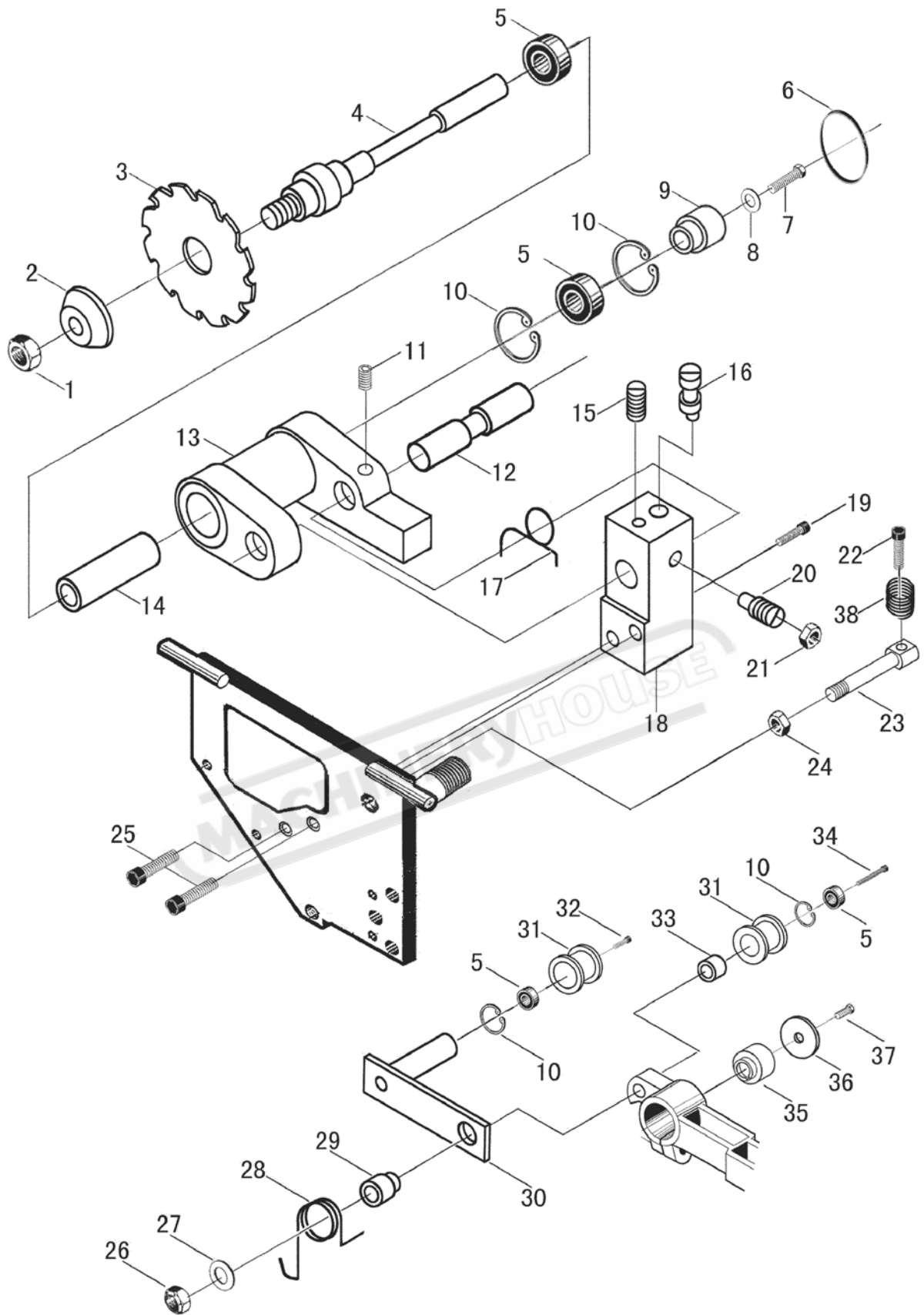




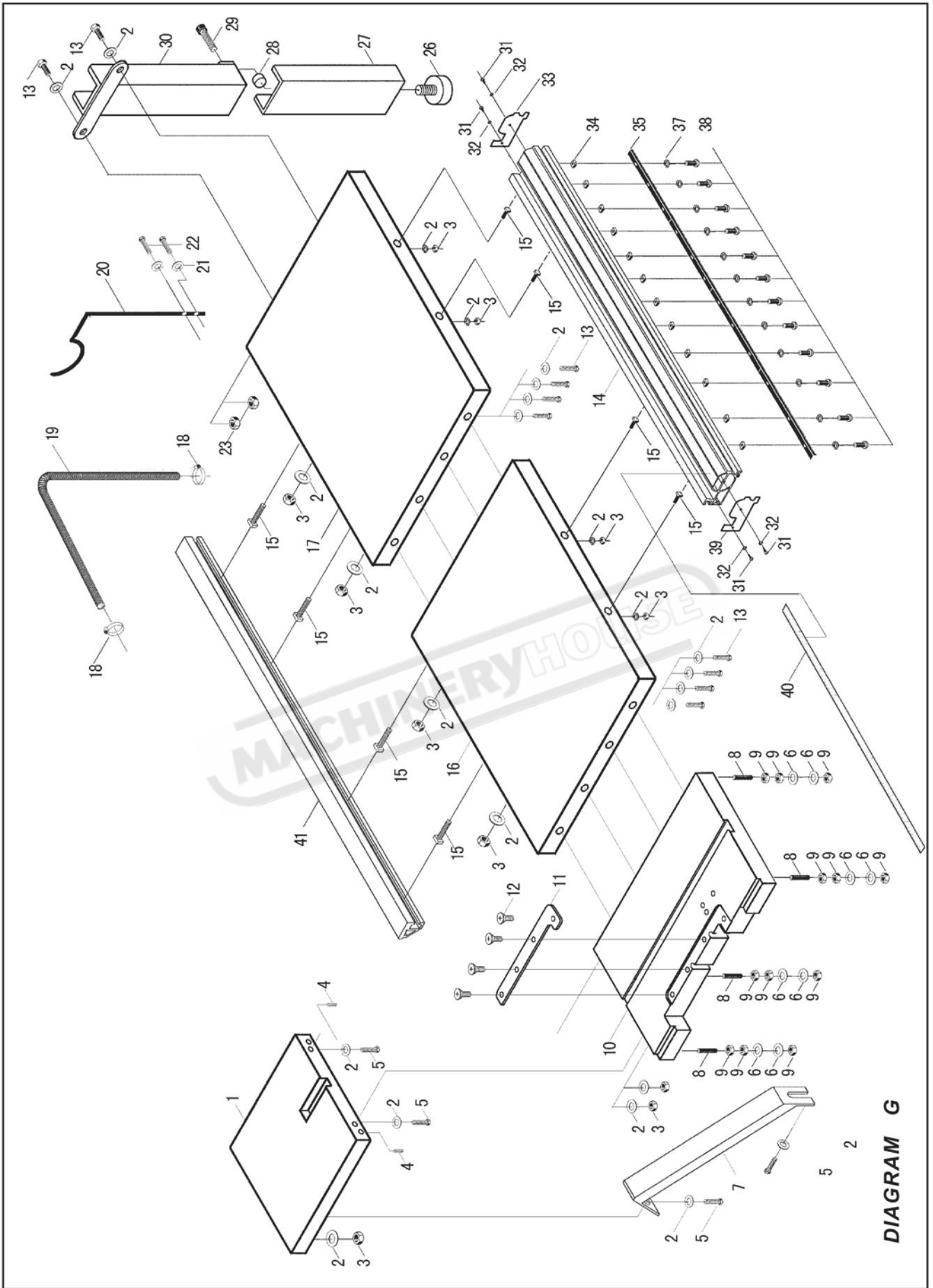
**DIAGRAM D**

**DIAGRAM E**

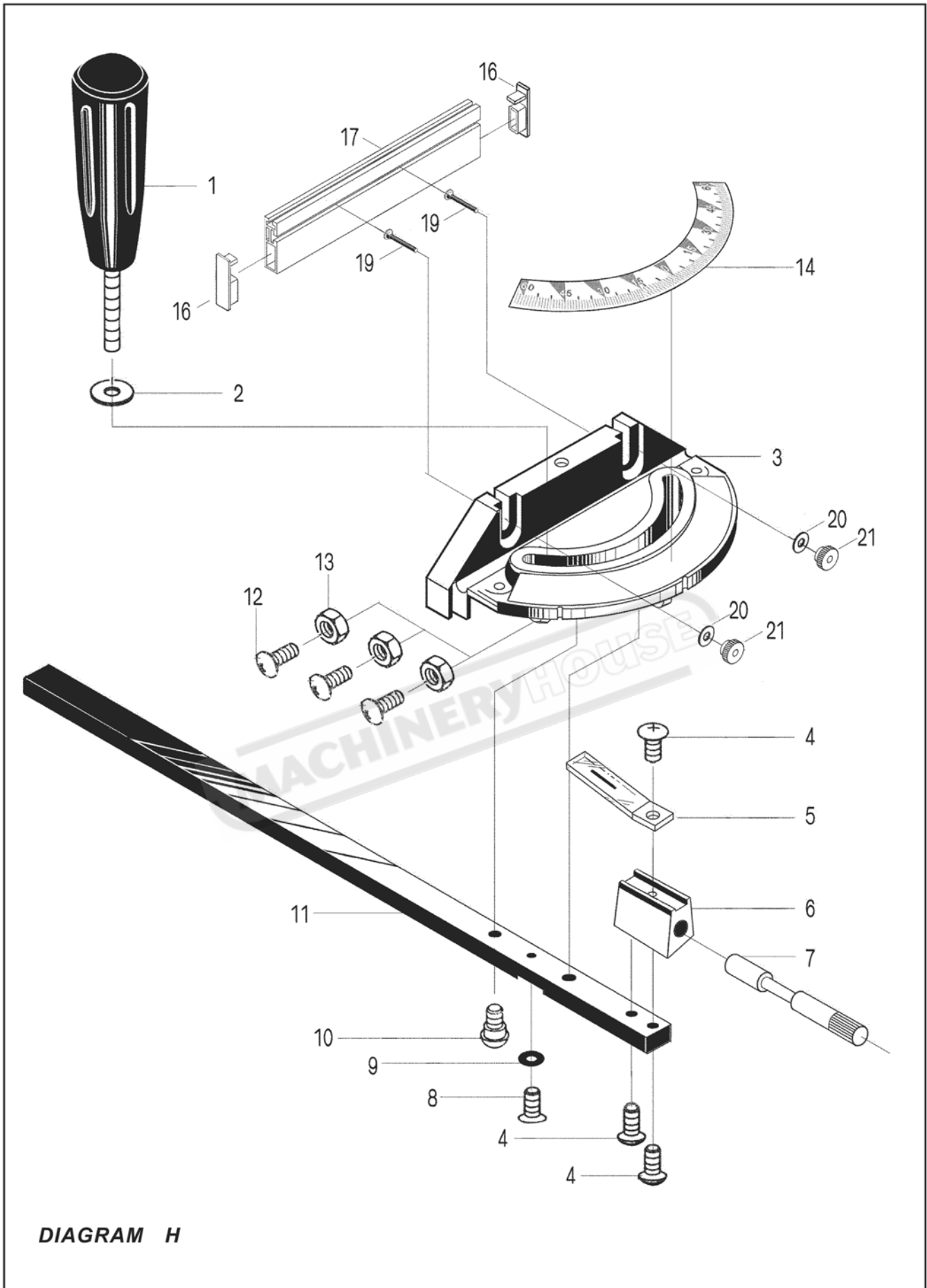




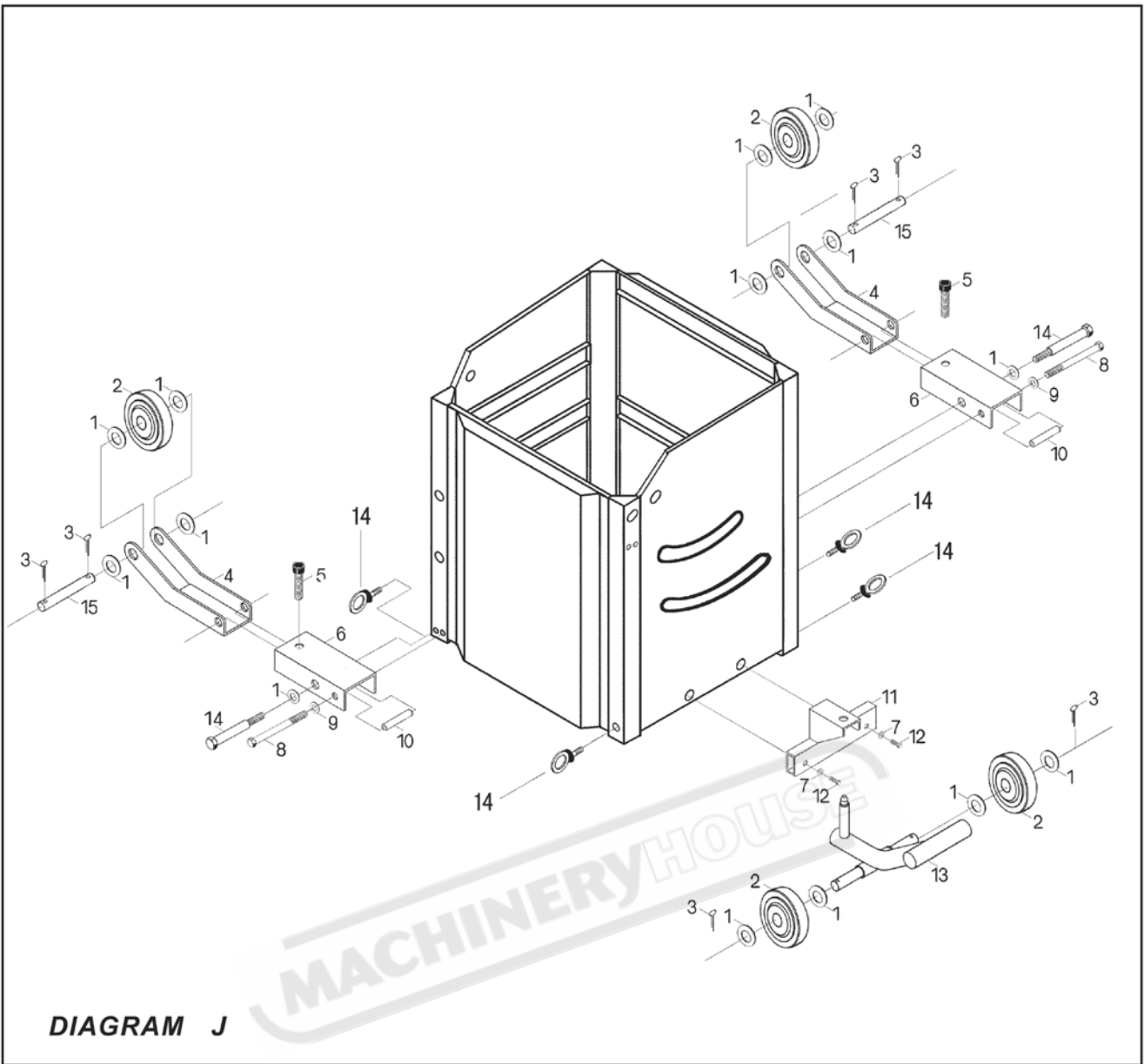
**DIAGRAM F**



**DIAGRAM G**



**DIAGRAM H**



**Parts List Diagram J (optional)**

<u>No</u>	<u>Description</u>	<u>No</u>	<u>Description</u>
J-1	Washer 16mm	J-9	Washer 12mm
J-2	Castor	J-10	Bushing bracket
J-3	Roll pin 4x30	J-11	Support, pull rod
J-4	Bracket castor	J-12	Hex screw M10x55
J-5	Allen screw M12x50	J-13	Pull rod
J-6	Bracket castor	J-14	Bolt, bracket
J-7	Washer 10mm	J-15	Shaft, castor
J-8	Hex screw M12x80	J-16	Lift ring